

SECTION 3 INSTALLATION

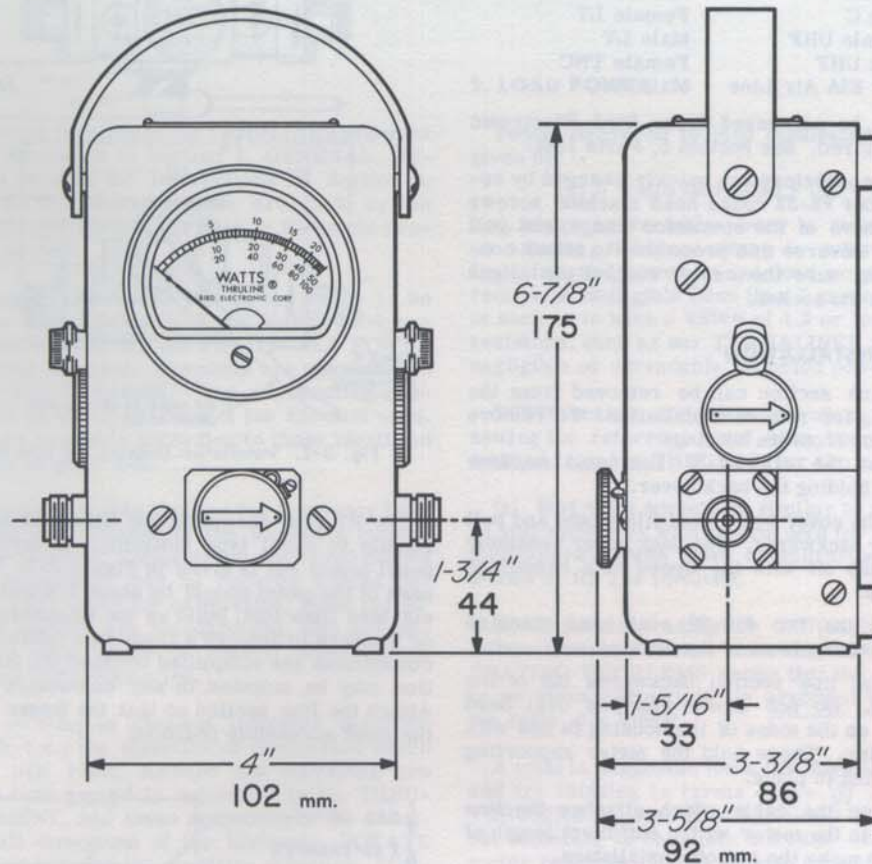


Fig. 3-1. Outline Drawing, Model 43 THRULINE

1. PORTABILITY

The Model 43 is a portable instrument, and the housing is not designed for fixed mounting (see Outline Drawing, Figure 3-1). A strap is provided for carrying purposes.

While transporting the THRULINE it is best to re-insert the original Dust Plug, or a Plug-In Element with the arrow pointed upward, in the measuring socket, and secure with the catch. This will shunt the meter circuit and serve to protect the meter by dampening needle action during handling or shipping. Also, secure spare Plug-In Elements in their receptacles with the pivoting knob clamps; just insert Element to seat and twist knob one-quarter turn to hold. Handle the Plug-In Element with care at all times. Calibration could be disturbed if they are dropped.

CAUTION

Do not drop the THRULINE or its Elements or subject them to hard blows. The microammeter is

shock mounted in the wattmeter housing, but its delicate mechanism may be damaged by severe impact.

2. CONNECTIONS

Insert the Model 43 THRULINE in coaxial transmission lines of 50 ohms nominal impedance. It is indifferent to which respective side the power source and the load connections are made. If cables other than 50 ohms are used, a mismatch will occur causing probable serious inaccuracies in readings. However, if a mismatch cannot be avoided, the results may be calculated per paragraph 7 of Section 4. We strongly urge that you avoid this condition.

The Model 43 is normally supplied with two Female N-Type connectors which are of the Bird Quick-Change design. Other "QC" connectors are available as listed: